



# DYNASTY™

## LED Lamps

### **DYNASTY® MR16 LED LAMP**

**3.0 WATTS, 12 VOLT AC/DC, GU5.3 BASE**

The Dynasty® MR16 LED lamp performs better than the traditional halogen lamp it is replacing. Using one three-watt high power Cree® LED allows the lamp to have a 35,000 hour service life, dramatically lowering maintenance and energy costs. Each lamp is equivalent to a 20 watt halogen lamp, but only consumes three watts. The LEDs also generate less heat, allowing each lamp to have a lower operating temperature.

These lamps fit in any conventional MR16 fixtures and sockets, making it a perfect replacement for track lighting, retail environments, art galleries, and other decorative lighting applications.

Each Dynasty® MR16 LED lamp is RoHS compliant, containing no lead, mercury, or other hazardous materials, making it safer for our environment.



## Applications

- Track Lighting
- Recessed Lighting
- Accent Lighting
- Display Case Lighting
- Museum Lighting
- Cabinet Lighting
- Retail Displays

## Features

- Warm White (3000K)
- Low Voltage
- Uses GU5.3 Base with Bi-Pin
- Vibration Resistant
- 4 Year Warranty
- 35,000 Hour Lifetime
- Consumes 3.2 Watts
- Equivalent to 20 Watt Halogen Light Output

## Benefits

- Energy Efficient
- Environmentally Friendly
- RoHS Compliant
- Non-Hazardous Waste
- Low Carbon Footprint



ISO 9001 CERTIFIED  
TS 16949 CERTIFIED FACTORY

 **CAO GROUP, INC.**  
design • development • manufacturing

The Dynasty® MR16 LED lamp is a direct replacement for traditional warm white 20 watt MR16 lamps. Each lamp consumes only 3.2 watts, making it five times more energy-efficient than traditional 20 watt halogen lamps, resulting in lower energy bills and a smaller carbon footprint. Each lamp also offers a 35,000 hour rated lifetime, making it last 10 times longer than halogen lamps and drastically cutting down maintenance costs. Ideal for MR16 tracks, rails, cables, display cases, museums, pendant fixtures, restaurants, and retail displays. Available in warm white (3000K).



## DYNASTY® MR16 LED LAMP

PRODUCT NUMBER	ORDERING ABBREV	WATTS	BEAM TYPE	BASE	VOLTS	PKG QTY	AVE RATED LIFE (HRS)	APPROX LUMENS	CBCP	CRI	CCT (K)	VIEWING ANGLE	MOL (INCH)
30500	3MR16/LED/30K/825/NFL	3.2	NARROW FLOOD	GU5.3	12	24	35,000	95	900	80	3000	25°	2

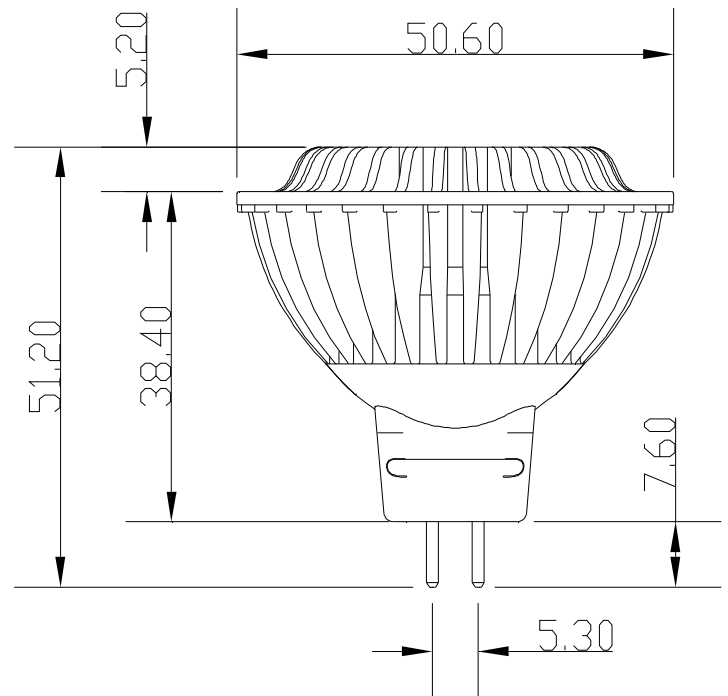
**LED Light Technology Product Order Code:**  
Dynasty MR16 LED LAMP:LLT-15-30500

## DISTRIBUTION



**LED Light Technology**  
1004 Bay Tree Lane  
Duluth, GA 30097  
O: 770-559-0750  
F: 770-783-8097  
[www.ledlighttech.com](http://www.ledlighttech.com)

## MECHANICAL DIMENSIONS



\*Dimensions are shown in millimeters.



4628 West Skyhawk Drive 801-256-9282 (tel)  
West Jordan, UT 84084 801-256-9287 (fax)

[www.caogroup.com](http://www.caogroup.com)

U:1 C:3 SAL-BR0013 VER 08.09.01 EGN 02.00018

Made with Cree® LEDs



ISO 9001 CERTIFIED  
TS 16949 CERTIFIED FACTORY