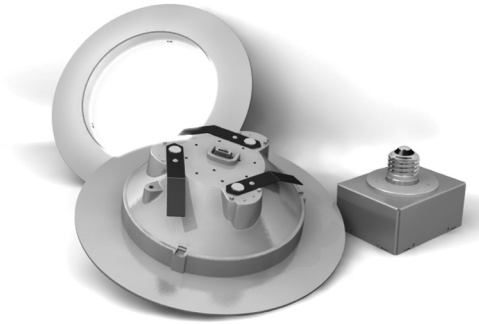


6-Inch Downlight Retrofit Kit

Model Numbers: **APR601-000: 2700K**
APR601-001: 3000K
APR601-002: 3500Kh

Project:	Type:
	Quantity:



Fill in specifications in the fields below.

MT7LSPTRDL6		0	0	-A
Base Part Number	Color Temp	Power Supply	Accessories	
	27 = 2700K 30 = 3000K 35 = 3500K	0 = 85-132 VAC	N/A	

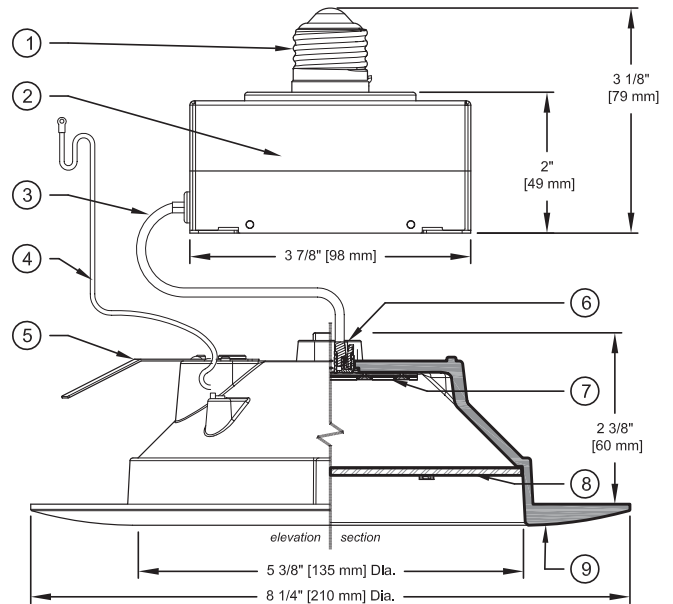
Specifications

Mechanical	
Description	Value/Unit
Diameter	8 1/4in (210mm)
Height	5 1/2in (140mm)

Electrical	
Description	Value/Unit
Input voltage	120 VAC
Line frequency	60Hz
Power consumption	12W
Power factor	0.90
Power supply audible noise	24 dBA

Fixture Features

1	Screw Base	Standard North American "Edison" base connector (E26)
2	Power Supply	Electronic LED driver in aluminum case, 120V nominal input
3	Power Cable	19" cable connects power supply to emitter unit
4	Safety Cable	15" steel cable with integrated crimped terminal at end for attaching to existing fixture frame
5	Retaining Springs	Rotatable tines for installation and removal
6	Power Cable Connector	Detachable connector on back of emitter housing permits easy installation or removal
7	LED Emitter Board	Printed circuit board with thermal gap pad and high reflectance integral reflector
8	Lens	High efficiency diffusion lens
9	Enclosure	Die cast aluminum emitter housing with thermally integrated trim flange and white powder coated finish



Warranty

5-year fixture warranty
3-year power supply warranty

Safety and Environmental Certifications

UL, ULC, ENERGY STAR, and RoHS certified



For more product information and support, contact LED Light Tech: Call 770-559-0750 or email info@LEDLightTech.com



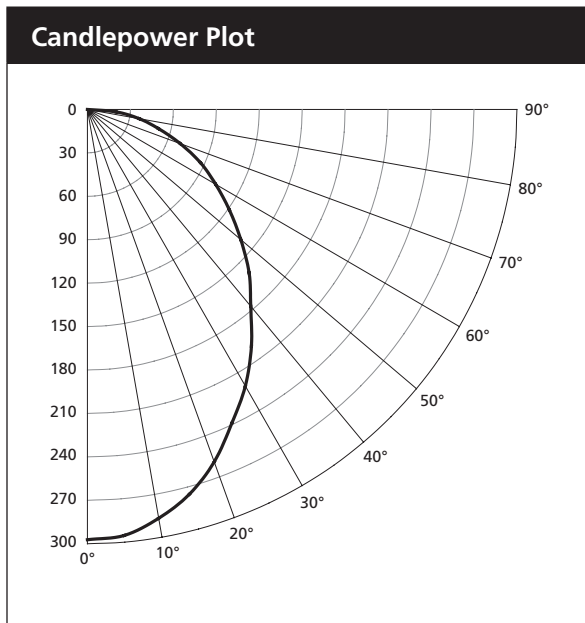
6-Inch Downlight Retrofit Kit

Model Numbers: **APR601-000: 2700K**
APR601-001: 3000K
APR601-002: 3500Kh

Optical Specifications

Optical	
Description	Value/Unit
Luminous flux	730lm
CCT	2725K/3000K 3500K/4000K
CRI (Ra) ¹	80
Beam angle ²	95°
Fixture efficacy	60 lm/W
Lumen maintenance ³	50,000 hrs
Notes: 1. ± 3 2. Full width at half maximum (FWHM) 3. L ₇₀	

Candlepower (CP) Summary	
Angle	Mean CP
0°	297
5°	293
15°	274
25°	240
35°	200
45°	157
55°	121
65°	87
75°	51
85°	21
90°	0



Zonal Lumen Summary		
Zone	Lumens	% Fixture
±0-30°	215	29.5%
±0-40°	340	46.6%
±0-60°	570	78.1%
±0-90°	730	100%

Dimming Performance
Compatible with commercially available electronic low-voltage (ELV) and line voltage trial dimmers. Minimum dimmed level will vary depending on dimmer.

Installation Notes:



For more product information and support, contact LED Light Tech: Call 770-559-0750 or email info@LEDLightTech.com

