

Freezer Case LED Lighting

Model Numbers: ALFT03-000 Right
ALFT01-000 Center
ALFT02-000 Left

Project:	Quantity:
----------	-----------

Freezer Light Fixture
Fill in specifications in the fields below.

MT7LSF		8			E	-	A	P
Base Part Number	Unit	CRI	Position/Length	CCT	PS	-	Internal	Location
	05 = End 10 = Center	8 = 80	C5 = Center 5' L5 = Left end 5' R5 = Right end 5'	35 = 3500K 40 = 4000K				P = Damp/Dry

LED Fixture Supply Compatibility ^[1]
Select Power Supply Part Numbers from options below.

Warning: Use only Micron approved power supply modules.

Power Supply Part Number	MT7LP17CC0336	MT7LP37CC0742	MT7LP57CC1436
Power Supply Current	350mA	700mA	1400mA
(QTY) Fixture Options	(1) End Fixture	(1) Center Fixture or (2) End Fixtures	(1) Center Fixture

Note1. Refer to Power Supply Module Configuration Options in the Installation Guide for more details.

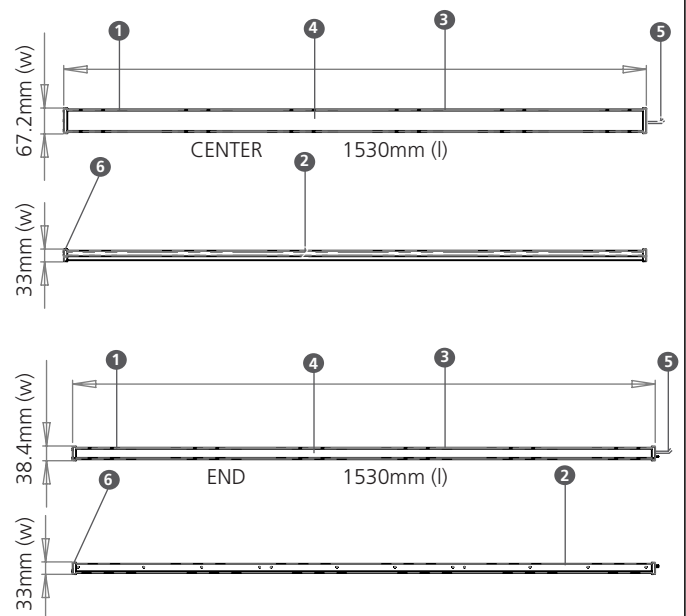
Specifications

Mechanical	Value/Unit		
Description	L	W	H
Center	1530mm	67.2mm	33mm
Left end	1530mm	38.4mm	33mm
Right end	1530mm	38.4mm	33mm

Electrical	Value/Unit	
Description	Center	End
Input voltage	120-277 VAC	120-277 VAC
Line frequency	50-60Hz	50-60Hz
Power consumption	22W	11W

Fixture Features

1	Housing	Aluminum extrusion Black anodized finish
2	Lens	Polycarbonate lens with a treated surface to prevent scratching
3	Reflector	Specially designed from aluminum material to be highly reflective and yet have diffused reflection for superior uniformity.
4	LED Emitter Board	Printed circuit board with direct attachment to the housing for maximum thermal performance.
5	Wire Harness	18 AWG stranded UL-rated wiring connects to the control unit
6	Environmental Rating	Center and end fixtures: IP51 Power supply/control unit: IP64



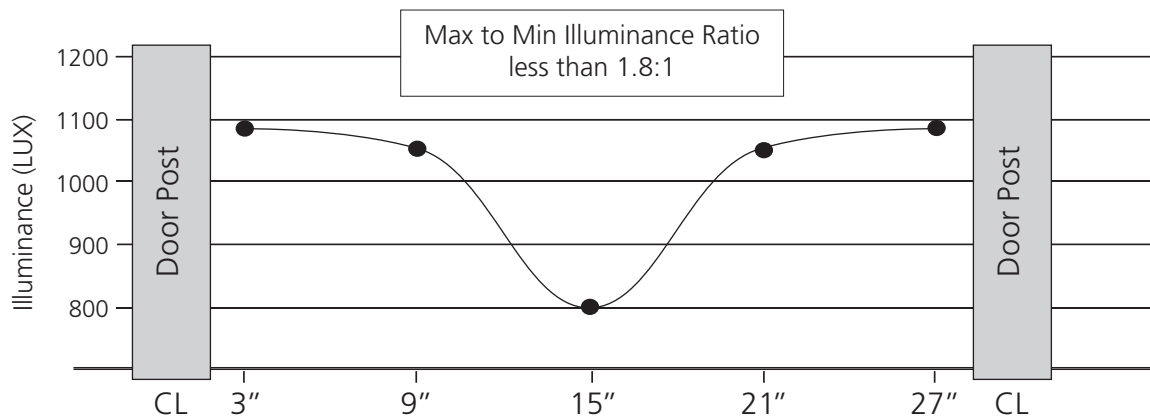
For more product information and support, contact LED Light Tech: Call 770-559-0750 or email info@LEDLightTech.com



Optical Specifications

Optical Description	@ T _A = 25°C		@ T _A = -20°C	
	Value/Unit		Value/Unit	
	Center	End	Center	End
Luminous Flux	1000lm	500lm	1070lm	535lm
CCT ¹	4000K	4000K	4000K	4000K
CRI ²	85	85	85	85
Fixture Efficacy	55 lm/W	55 lm/W	55 lm/W	55 lm/W
Lumen Maintenance ³	≥50K hrs	≥50K hrs	>50K hrs	>50K hrs

Notes:
 1. ANSI Nominal CCT
 2. R_a = 80 minimum
 3. L₇₀



Warranty
5-year warranty

Safety and Environmental Certifications
<ul style="list-style-type: none"> • CSA and NSF safety-approved. Class 2 Damp Location Component LED Light Bars for use in coolers. • DLC and RoHS compliant.

DIMMING
Contact Micron for dimmer information.



For more product information and support, contact LED Light Tech: Call 770-559-0750 or email info@LEDLightTech.com

