



# A19 Lamp

Reduced energy consumption and operating costs by up to 80%. Environmentally friendly - no mercury. Maintenance free operation - lasts up to 25 times longer than conventional lighting. In most instances, payback less than a year!

## Specifications:

**Equivalent Source:** 35W Incandescent

**L70 lumen depreciation:** 50,000 hours

**Housing:** Anodized Aluminum

**Socket:** E26 Edison base (US)

**Lumen Output:** 395 - 430lm

**Power Consumption:** 8W

**Dimmable**

**Instant on**

**Efficacy:** 49 - 54lm/w

**CRI:** 87 - 90

**CCT:** 2740 - 4000K

**Operating Temperature:** -20°C to +40°C

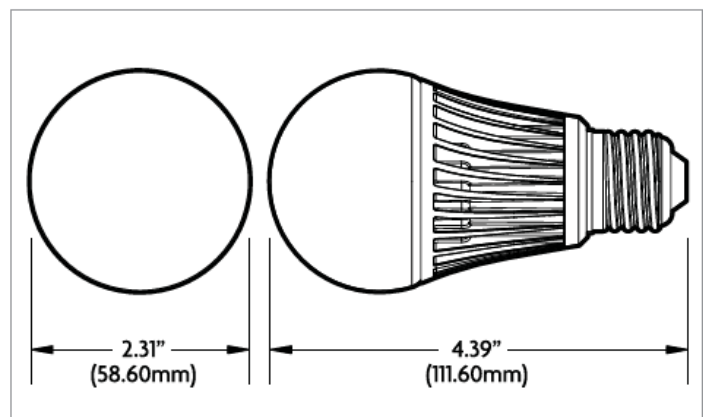
**MOL:** 4.284 in, 108.82mm

**Voltage:** 120VAC

**Weight:** 5.6 oz., 159g

**Power Factor:**  $\geq .90$

**Warranty:** 5 year limited



Dimensions shown in inches (mm)

**Product Order Code:**

Order Code Example: LLT-5-A19-8-3000-120

LLT	5	A19	8		
				2700	120
				3000	230
				4000	
				5000	

**\*Specifications may be customized to meet customer needs.**

Certification



Environment



**DIMMER CAPABILITIES**

Make	Model
Ace	34050, 3027596
Leviton	6633-PL, 6684, 6631, IP106-1LX
Lutron	S-600PR-WH, DV-600PR-WH, TG-600PR-WH, AY600P, Q600P, GL600, CN-600PHW, DV-603PG, S-600, S-600P, LG-600P, D-600PH, TT-300NLH, TG-603PG, DVCL-153P, RRD-10ND, SZ-6ND, HW-RPM-4A-120, HxD-6ND, QSG-6P, LP-RPM-4A-120, PHPM-WBX
Legrand	DrRD4W

**Cautions**

- Turn power off before inspection, installation, or removal.
- Risk of Electric Shock – Use in dry locations only. Do not use where directly exposed to water or weather.
- For use in completely enclosed recessed fixtures.
- Do not open – no user serviceable parts inside.
- North America use on 120VAC, 50-60 Hz circuits, RoW use on 220-240, 50 Hz.
- This device is not intended for use with emergency exit fixtures or emergency exit lights.
- Added weight of the device may cause instability of a freestanding portable luminaire.
- Use only with a portable table lamp that is provided with a shade.
- Use in portable table lamps in which the distance from the bottom of the base to the top of the lampholder does not exceed three (3) times the minimum base diameter.
- This device complies with Part 15 of the FCC rules and has been tested and found to comply with the limits for a Class B digital device. These limits are designed to provide reasonable protection against harmful interference in a residential installation. This equipment generates, uses and can radiate radio frequency energy and, if not installed and used in accordance with the instructions, may cause harmful interference to radio communications. Any changes or modifications not expressly approved by the manufacturer could void the user's authority to operate the equipment.