




# LSR Street Light



Features <sup>1</sup>		LSR1	LSR2	LSR3	LSR4
Lumen Output (at operating temperature)		4354	5890	9365	11716
Input Power (Watts)		50	75	100	150
Efficacy (lm/w)		87	79	92	81
Color Temperature (CCT)		4000K, 5000K			
Color Rendering Index (CRI)		65			
Rated Life L70		60,000 Hours			
Housing		Die Cast and Extruded Aluminum			
Finish		Gray, Black, Bronze			
Optical Distribution		Type II, Type III, Type II Streetside Optimized, Type III Streetside Optimized Type IV, Type V			
Mounting Options		Fits Standard 1 1/4" to 2" Mast Arm, 4-Bolt Internal			
EPA	LSR1, LSR2	.77			
	LSR3, LSR4	1.0			
Dimensions	LSR1, LSR2	28.10" x 8.0" x 4.3" 714mm x 203mm x 109mm			
	LSR3, LSR4	37.10" x 8.0" x 4.3" 942mm x 203mm x 109mm			
Operating Temperature		-40°C to +40°C (-40°F to +104°F)			
Voltage		120-277 VAC @ 50-60 Hz, DCV <sup>2</sup>			
Weight		LSR1, LSR2: 22lbs		LSR3, LSR4: 25lbs	
Warranty		5 Year Limited			
Certification		  3G Vibration Rating <sup>3</sup>			
Environment		IP67 optics			

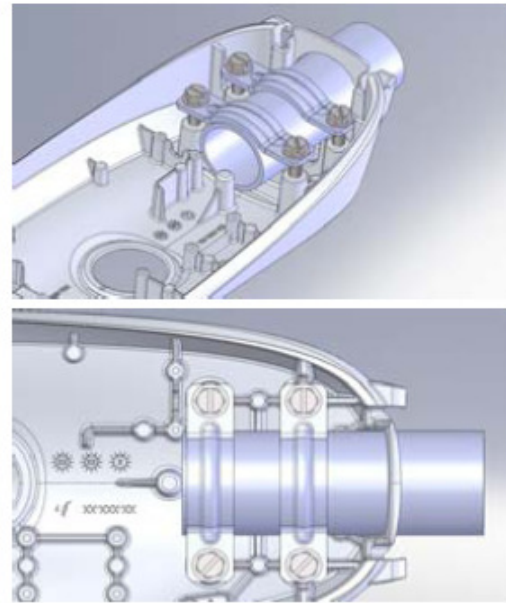
## Benefits

- Sustainable Design:
  - Custom arrayed optics to reduce the use of plastics.
  - No tertiary optical losses.
  - Use of recycled and recyclable corrosion resistant materials.
  - Full cutoff optics meet Dark Sky requirements
- Holistic Thermal Design:
  - Underdriving LEDs to improve efficiency and system life.
  - Use of premium grade alloys for enhanced thermal conduction.
  - Electronics are isolated and sealed from the optical chamber.
- Fits standard 1 1/4" to 2" mast arm.
- Typical Applications Include:
  - Roadways
  - City Streets
  - Campuses
  - Residential Streets
  - Parking Lots

<sup>1</sup> All values are nominal. Values based on 5000CCT at 25°C unless noted. Consult website for complete IES & LM-79 data.

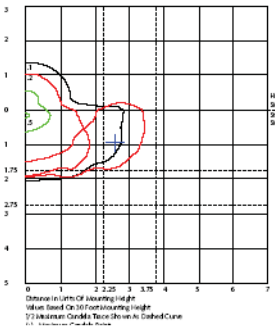
<sup>2</sup> DCV available with LSR1 & LSR2 only

<sup>3</sup> 4-Bolt mounting required for 3G vibration rating

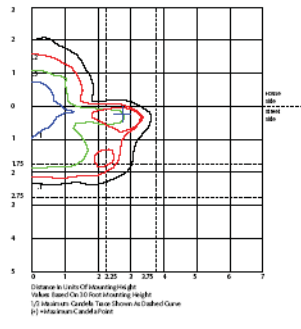


LSR4 4 Bolt Dimensions

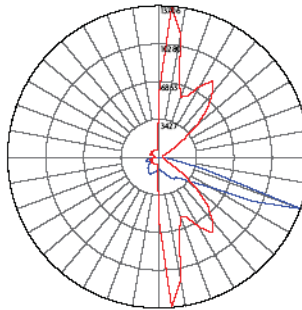
Type II



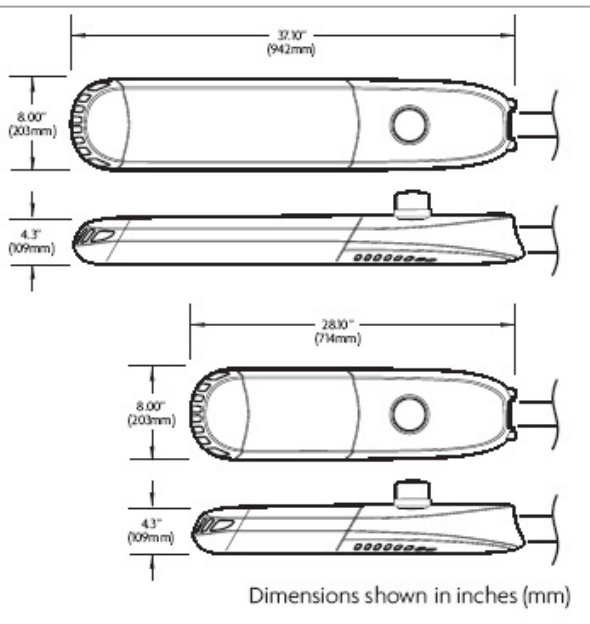
Type III



Type III



Maximum candela = 13706.34 Located at Horizontal Angle = 85, Vertical Angle = 70  
 Vertical Plane Through Horizontal Angles (85–265) (Through Max. Cd.) : BLUE  
 Horizontal Cone Through Vertical Angle (70) (Through Max. Cd.) : RED



Zonal Lumen Summary

Zone	Lumens	%Luminaire
FL 0–30	634	5.9
FM 30–60	3,100	28.7
FH 60–80	3,585	33.1
FVH 80–90	110	1.0
BL 0–30	655	6.1
BM 30–60	1,771	16.4
BH 60–80	844	7.8
BVH 80–90	115	1.0
UL 90–100	0	0
UH 100–180	0	0

**Product Order Code:**

Order Code Example: LLT-5-LSR1-CW-R2-Mvolt-2B-PCR-GR

LLT	5				Mvolt	
				<b>Optical Distribution</b>		
		LSR1	CW	R2 (Type II)	Mvolt	2B (2bolt (standard))
		LSR2	NW	R3 Type III		4B (4 Bolt)
		LSR3		R2SS Type II Street Optimized		
		LSR4		R3SS Type III Street Optimized		
				R3		
				R4 Type IV		
				R5 Type V		

	<b>Receptacle</b>	<b>Options</b>	<b>Optional Accessories</b>
	PCR (Photocontrol Receptacle, standard)	PC (Twist-lock Photocontrol)	HS (House Side Shield)
	NR (No Photocontrol Receptacle)	SH (Shorting Cap)	
			BZ (Bronze)