

MR16 Lamp

Patented design houses an integrated LED system for optimum lifetime performance. Excellent optics create a uniform beam, delivering lumen output comparable to conventional sources. Free of harmful UV and IR emissions. Available in 25° and 40° beam distribution, in various color temperatures with good color quality.

Specifications:

Equivalent Source: 20 Watt Halogen

Power Consumption: 6 Watts

Lumen Output: Warm White (2700)-270, Warm White-300, Neutral White-318, Cool White 424

Rated Life: 25,000 Hours, 70% Lumen Maintenance

Housing: Aluminum

Base: GU 5.3 base

CRI: 85

Beam Spread: Narrow Flood 25°, Flood 40°

Color Temperatures: 2700K, 3000K, 4000K, 5000K

Operating Temp: -20°C to +40°C

MOL: 1.942", 49.336mm

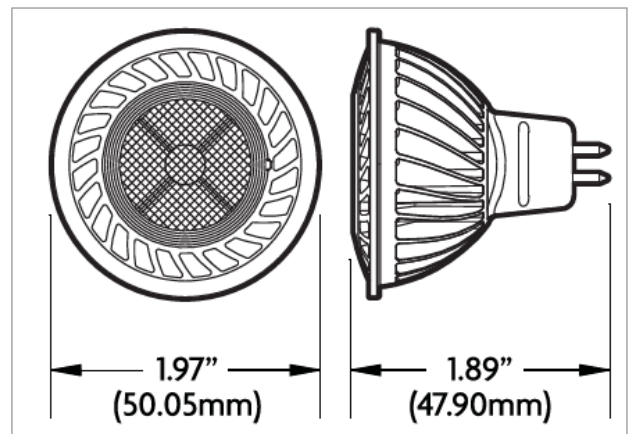
Max Ambient Temp: 25°C

Voltage: 12 VDC

Weight: 0.11lbs, 0.05kg

Warranty: 3 year limited

Standards: UL1993, ETI, cETL



Dimensions shown in inches (mm)

Benefits

- Reduced energy consumption and operating costs by up to 80%.
- Maintenance free operation - lasts up to 25 times longer than conventional lighting.
- Cool beam- No UV or IR, reduces air conditioning loads.
- Unique design with anodized silver housing for cooler operation and extended lamp life.
- Environmentally friendly – fully recyclable, no mercury or other hazardous materials.
- Dimmable***
- LM79 tested

Certification



Environment



DRY AND DAMP

Product Order Code:

Order Code Example: LLT-5-MR16 -6-3000-120-40

LLT	5	MR16	6			
				2700	120	25
				3000	230	40
				4000		
				5000		

Cautions:

- Turn power off before inspection, installation, or removal.
- Risk of Electric Shock – Do not use where directly exposed to water or weather.
- Suitable for Damp Locations.
- Not for use with AC transformers.
- Do not open – no user serviceable parts inside.
- This device is not intended for use with emergency exit fixtures or emergency exit lights.
- This device complies with Part 15 of the FCC rules and has been tested and found to comply with the limits for a Class B digital device. These limits are designed to provide reasonable protection against harmful interference in a residential installation. This equipment generates, uses and can radiate radio frequency energy and, if not installed and used in accordance with the instructions, may cause harmful interference to radio communications.
- Any changes or modifications not expressly approved by the manufacturer could void the user's authority to operate the equipment.



Brand	Model	Input Voltage (VAC/Hz)	Power Rating (W)	Type	Number of MR16s per Transformer					
					1	2	3	4	5	6
Advance	71A9743	120 VAC, 60 Hz	75	MT	G	G	G	G	G	G
Beal Pritchett (BP)	DINGO60	240V, 50Hz	60	ET	F	F	G	G	G	G
CHD	HUA1200600X2L	120 VAC, 60 Hz	60	ET	F	F	G	G	G	F
Crompton	CLED3	230-240 VAC, 50-60 Hz	12	ET	G	N/A	N/A	N/A	N/A	N/A
ELG	250LED100W	120 VAC, 60 Hz	100	ET	G	G	G	G	G	G
	250LED10W	120 VAC, 60 Hz	10	ET	G	N/A	N/A	N/A	N/A	N/A
	250AT075T	120 VAC, 60 Hz	75	MT	G	G	G	G	G	G
EYE LEADS	5011922UC	120 VAC, 60 Hz	10	ET	G	N/A	N/A	N/A	N/A	N/A
EYE LEADS	AZ09	230-240 VAC, 50-60 Hz	12	ET	G	N/A	N/A	N/A	N/A	N/A
Hatch	RS12-15M-LED	120 VAC, 50-60 Hz	15	ET	G	G	N/A	N/A	N/A	N/A
	PS12-20L	120 VAC, 60 Hz	20	ET	F	F	G	N/A	N/A	N/A
	RS12-30M-LED	120 VAC, 50-60 Hz	30	ET	G	G	G	G	N/A	N/A
	RS12-60M	120 VAC, 50-60 Hz	60	ET	F	F	F	G	G	G
	VS12-60W	120 VAC, 50-60 Hz	60	ET	F	F	F	F	G	G
	VS12-60WD	120 VAC, 50-60 Hz	60	ET	F	G	G	G	G	F
	RS12-80M	120 VAC, 50-60 Hz	80	ET	F	F	F	G	G	G
	RS12-60M-LED	120 VAC, 50-60 Hz	60	ET	G	G	G	G	G	G
Hermosa	ET105B60	230V, 50Hz	60	ET	G	G	G	G	G	G
IST	IDM011152	230-240 VAC, 50-60 Hz	11	ET	G	N/A	N/A	N/A	N/A	N/A
LCI	i60e	230 VAC, 50-60 Hz	60	ET	F	F	G	G	G	G
Lightech	LET-60	120 VAC, 50-60 Hz	60	ET	F	F	F	F	F	F
	LET-75	120 VAC, 50-60 Hz	75	ET	F	F	F	F	F	F
Ligro	E12SC50SA	230 VAC	50	MT	F	G	G	F	G	F
Luxalite	GD32LH	220-240 VAC, 50-60 Hz	55	ET	G	G	G	G	G	G
Lumex	MTR50/12 EN-61558	220VAC, 50 Hz	50	MT	G	G	G	G	G	G
MDL	319-0103	120 VAC, 50-60 Hz	10	ET	G	N/A	N/A	N/A	N/A	N/A
Mirano	BLNET-L50C 50W	220 VAC, 50-60Hz	50	ET	G	G	G	G	G	G
Niko	320-00112	230 VAC, 50 Hz	105	ET	F	G	G	F	G	F
Nobile	EN-80D	230 VAC, 50-60 Hz	80	ET	G	G	G	G	G	G
	EN-80D2	230 VAC, 50-60 Hz	80	ET	G	G	G	G	F	F
	EN-110D	230 VAC, 50-60 Hz	110	ET	G	G	G	G	G	G
	EN-110D2	230 VAC, 50-60 Hz	110	ET	F	F	F	F	F	F
Osram	ET-REDBACK	230-240 VAC, 50-60 Hz	60	ET	G	G	G	G	G	G
	HTM 150/230-240	230-240 VAC, 50-60 Hz	150	ET	G	G	G	G	G	G
Philips	Primaline 105 230-240	230-240 VAC, 50-60 Hz	105	ET	G	G	G	G	G	G
	Xitanium 10W Dimmable	220-240 VAC, 50-60 Hz	10	ET	G	N/A	N/A	N/A	N/A	N/A
	ET-560220-240	220-240 VAC, 50-60 Hz	60	ET	F	F	F	F	F	F
	9137-100-536	220-240 VAC, 50-60 Hz	10	ET	G	N/A	N/A	N/A	N/A	N/A
	9137-100-538	220-240 VAC, 50-60 Hz	30	ET	G	G	G	G	N/A	N/A
Sunrise	H0050-497	120 VAC, 50-60 Hz	50	MT	G	G	G	G	G	G
Teca	100D8512S	120VAC, 60 Hz	100	MT	G	G	G	G	G	G
Tridonic	TM50-2	240VAC, 50-60Hz	50	MT	G	G	G	G	G	G
	VIPER 22176074	230-240 VAC, 50-60 Hz	105	ET	F	G	G	F	F	F
	VIPER 22176072	230-240 VAC, 50-60 Hz	105	ET	F	F	F	F	F	G
	Possum	230-240 VAC, 50-60 Hz	3.45	ET	F	F	F	F	F	F
VadsBO	SET70RE-1	220-240 VAC, 50 Hz	70	ET	F	F	F	G	F	G
Vike	VB60PL	230-240 VAC, 50-60 Hz	60	ET	G	G	G	G	G	F
Vossloh Schwabe	EST 70/12.380	230-240 VAC, 50-60 Hz	70	ET	F	F	F	F	F	F
	EST 105/12.381	230-240 VAC, 50-60 Hz	105	ET	F	F	G	G	G	G
	EST 150/12.622	230-240 VAC, 50-60 Hz	150	ET	G	G	G	G	G	F
WAC	EN-12100-R-AR	120 VAC, 50-60 Hz	100	ET	G	G	G	G	G	G
Wang	WH-601E2CA-2L	120 VAC, 60 Hz	60	ET	F	F	G	G	G	F

Et - Electronic Transformer MT - Magnetic Transformer G - Good F - Flickers N/A - Exceeds Transformer Recommended Power