

# MR16 GU10 Base

Patented design houses an integrated LED system for optimum lifetime performance. Excellent optics create a uniform beam, delivering lumen output comparable to conventional sources. Free of harmful UV and IR emissions.

## Specifications:

**Equivalent Source:** 30W Halogen

**Rated Life:** 30,000 hours

**Housing:** Anodized

**Socket:** GU10 base

**Beam Spread:** Narrow Flood, Flood 25°, 40°

**Operating Temperature:** -20°C to +40°C

**MOL:** 2.22 in, 56.50mm

**Voltage:** 120 & 220 VAC

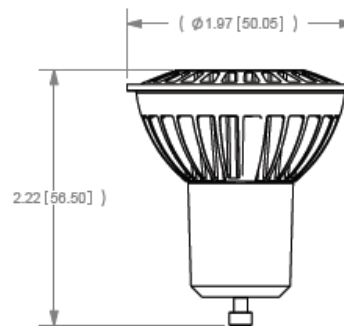
**Weight:** 0.11lbs., 50g

**Warranty:** 3 year limited



## Benefits

- 6 Watts – 80% more efficient than comparable
- 30 Watt Halogen lamp.
- Maintenance free operation, lasts up to six times longer than conventional lighting.
- Two beam distributions.
- Available from 2700-5000K CCT.
- Non-dimmable.



Specifications supplied are nominal. Please refer to the DOE's Lighting Facts Tolerance Guidelines. LM79 results based on 12 Volt DC source  
<sup>1</sup>Values are nominal.

### NORTH AMERICAN CERTIFICATIONS



### EUROPEAN CERTIFICATIONS



### ENVIRONMENT



**Product Order Code:**

Order Code Example: LLT-5-MR16 -6-3000-120-40

LLT	5	MR16GU10	6			
				2700	120	25
				3000	230	40
				4000		
				5000		

**Cautions**

- Turn power off before inspection, installation, or removal.
- Risk of Electric Shock – Suitable for damp locations. Do not use where directly exposed to water or weather.
- Not for use in completely enclosed recessed fixtures.
- Do not open – no user serviceable parts inside.
- North America use on 120VAC, 50-60 Hz circuits, RoW use on 220-240, 50 Hz.
- This device is not intended for use with emergency exit fixtures or emergency exit lights.
- This device complies with Part 15 of the FCC rules and has been tested and found to comply with the limits for a Class B digital device. These limits are designed to provide reasonable protection against harmful interference in a residential installation. This equipment generates, uses and can radiate radio frequency energy and, if not installed and used in accordance with the instructions, may cause harmful interference to radio communications. Any changes or modifications not expressly approved by the manufacturer could void the user's authority to MR16, G80, A60 R63, R95 and PAR38 operate the equipment.