



LED Light Technology, LLC

Lighting the world through Innovation

Office-770-559-0750 www.LEDLightTech.com

Par30/R95 Lamp

Patented design houses an integrated LED system for optimum lifetime performance. Excellent optics create a uniform beam, delivering lumen output comparable to conventional sources. Free of harmful UV and IR emissions.

Specifications:

Equivalent Source: Standard: 75W Halogen High

Output: 90W Halogen

Watts: 15/18 Watts

Reliability Life: 50,000 hours

Housing: Painted

Socket: E26 Edison base (US) E27 (Europe)

Beam Spread: 15°, 25°, 40°

Color Temperatures: 2700K, 3000K, 4000K, 5000K

Operating Temp: -20°C to +40°C

MOL: 4.56", 115.847mm

Voltage: 120 or 230 VAC

Weight: .099 lbs., 450 g

Power Factor: ≥.70

Warranty: 5 year limited

Certifications: UL1993



NORTH AMERICAN CERTIFICATIONS



EUROPEAN CERTIFICATIONS



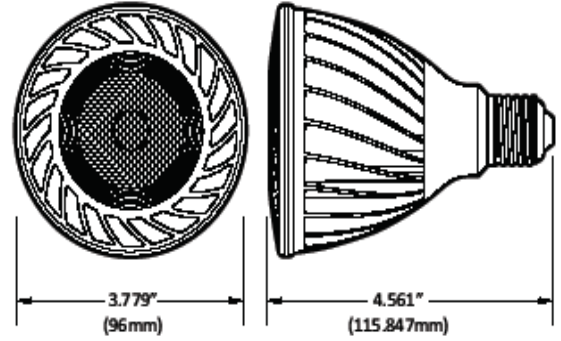
ENVIRONMENT





Benefits

- Dimmable to 5% of light on most dimmers.³
- Up to three unique beam distributions for application flexibility.
- Suitable for damp locations.
- 15/18 Watts – 80% more efficient than comparable
- 75/90 Watt Halogen lamp.
- Maintenance free operation lasts up to 16 times longer than conventional lighting.
- Superior thermal management allows for product usage in enclosed luminaires.
- Centralized optical package provides high quality point source beam versus pixilated designs.
- RoHS compliant – contains no mercury or lead.



DIMMER CAPABILITIES

Make	Model
Ace	34050, 3027596
Cooper	9536AD
Leviton	6633-PL, 6684, 6631, IPI06-1LX
Lutron	S-600PR-WH, DV-600PR-WH, TG-600PR-WH, AY600P, Q600P, GL600, CN-600PHW, DV-603PG, S-600, S-600P, LG-600P, D-600PH, TT-300NLH, TG-603PG, HW/LP-RPM-4A-120, HW/LP-RPM-4U-120, QSG-6D, SZ-6ND, HW/LP-RPM-4A-120, HW/LP-RPM-4U-120, HxD-6ND, QSG-6D, PHPM-WBX w/DVF-103P, PHPM-PA w/QSG-6D
Legrand	DrRD4W

EUROPEAN DIMMER CAPABILITIES

Make	Model
Base	BL112-WIT
Baseline	Inbouw BL112, Opbouw BL115
Busch	2250U, 2200, 2247U, 2250U
Clipsal	32E450LM
Gira	030000/101
Halolite	HADSP400, HADSP801
Ikea	Dimma EF700DC
Kopp	Rome 23278
Kupp	Rome 23278, Rome 23314, Rome 23316, Europa
Lichtregler	T43
Lumeo	Domus T-10
Lutron	LSSI-501B-FAW
Merten	5721, 5771
Niko	310-01701, 310-01401, 09-013
Peha	Drespa 21209, 2297-521, Tronic 433HAB, Drespa Primar815
Praxis	Halo
Simens	u-Contact
WinTop	Top 13002, Top 13112, Top 13412
WyYun	W13-C142, W13-C152, W13-C162

Specifications supplied are nominal. Please refer to the DOE's Lighting Facts Tolerance Guidelines.

¹ Values are nominal.

² Early Submission ENERGY STAR Life = 25,000 hours (L70 lumen depreciation design criteria = 50,000 hours.) For directional lamps, Energy Star early submission dictates that manufacturers can only claim 25,000 hour life with 3000 hour actual life test data, 6,000 hour LM80 data and in-situ temperature measurements. Once a product has been fully qualified, manufacturers may increase the lifetime of a product by demonstrating full compliance with the ENERGY STAR criteria at the new lifetime with Lumen Maintenance at the minimum required test period. Refer to Energy Star website.

³ Specify 120V/230V

Product Order Code:

Order Code Example: LLT-5-Par30-15-2700-120-25

LLT	5		8			
		Par30	15	2700	120	15
		Par30HO	18	3000	230	25
				4000		40
				5000		

Cautions:

- Turn power off before inspection, installation, or removal.
- Risk of Electric Shock – Do not use where directly exposed to water or weather.
- Not for use in completely enclosed fixtures.
- Suitable for Damp Locations – The lamp is suitable for use in wet locations when used in an outdoor rated fixture.
- Do not open – no user serviceable parts inside.
- Use only on 120 Volt, 60 Hz circuits.
- This device is not intended for use with emergency exit fixtures or emergency exit lights.
- Added weight of the device may cause instability of a free-standing portable Luminaire.
- Use only with a portable table lamp that is provided with a shade.
- Use in portable table lamps in which the distance from the bottom of the base to the top of the
- Lampholder does not exceed three (3) times the minimum base diameter.
- “This device complies with Part 15 of the FCC rules and has been tested and found to comply with the limits for a Class B digital device. These limits are designed to provide reasonable protection against harmful interference in a residential installation. This equipment generates, uses and can radiate radio frequency energy and, if not installed and used in accordance with the instructions, may cause harmful interference to radio communications. Any changes or modifications not expressly approved by the manufacturer could void the user’s authority to operate the equipment.”