



DYNASTY™

LED Lamps

DYNASTY® S14 LED Lamp

1.7 WATT, 120 / 240 VOLT

The Dynasty® LED series has achieved what many people thought was not possible... LED lighting that performs as good or better than the traditional lamp it is replacing! Our unique lighting products are redefining the current LED landscape, which is filled with one-directional, highly concentrated points of light. Our secret is the light source itself, a 360° horizontal, 275° vertical beam pattern (we call it the Dynasty®). There is no other LED on the market that compares to traditional light sources as well as the Dynasty® LED, making it even easier to choose the most energy-efficient, earth friendly products for your lighting needs. For more Dynasty® based lighting products, just Look For The Butterfly!



The secret behind the S14 -- and all Dynasty® products -- is the Dynasty® LED light source itself, which provides a 360° horizontal, 275° vertical beam pattern of high-intensity light.

Applications

- Flash / Chaser Signs
- Architectural Accent & Border
- Time / Temperature Signs
- Scoreboards
- Theater Marquees
- Amusement Parks
- Arcade Machines

Features

- Replaces Any Incandescent S14 Lamp
- Vibration Resistant
- Equivalent to 11W Incandescent Lamps
- 360° Horiz. / 275° Vert. Beam Pattern
- 120 / 240 VAC
- Instant On / Off for Flash / Chaser Capability

Benefits

- Long Life - 4 Year Warranty!
- High Visibility
- Up to 90% Savings in Energy Costs
- Reduces Maintenance Costs
- Produces No Hazardous Waste
- RoHS Compliant
- Low Carbon Footprint



ISO 9001 CERTIFIED
TS 16949 CERTIFIED FACTORY

The Dynasty® S14 LED Lamp is designed specifically as an energy-saving alternative for traditional 11 watt incandescent S14 lamps. Designed for a 120 or 240 VAC, 50 to 60Hz universal power system, it can be installed into any standard E26 (medium) socket. The lamp has a rugged brass base, making it corrosion resistant for outdoor applications. It is designed with CAO Group's patented Dynasty® high flux LED, which is energy efficient, vibration resistant, and features a multi-directional beam pattern, making it ideal for general lighting. This lamp is perfectly suited for outdoor signage, hotels, theaters, restaurants, and theme park applications. Available in White, Red, Amber, Blue, and Green.



Dynasty® S14 LED Lamp Specifications:

P/N	ORDERING ABBR.	WATTS	BULB	BASE	VOLTS	QTY	DESCRIPTION	LIFETIME	WARRANTY	APPROX. LUMENS	CRI	CCT/λ	AMPS
30042	1.7S14/27K/LED/1PK	1.7	S14	E26 (MED)	120/240	16	CLEAR, WHITE LED, 1 PK BOX	35,000 HRS	4 YRS	50	65	2700 K	<.15
30044	1.7S14/R/LED/1PK	1.7	S14	E26 (MED)	120/240	16	CLEAR, RED LED, 1 PK BOX	35,000 HRS	4 YRS	20	N/A	625 nm	<.10
30046	1.7S14/A/LED/1PK	1.7	S14	E26 (MED)	120/240	16	CLEAR, AMBER LED, 1 PK BOX	35,000 HRS	4 YRS	30	N/A	592 nm	<.10
30048	1.7S14/B/LED/1PK	1.7	S14	E26 (MED)	120/240	16	CLEAR, BLUE LED, 1 PK BOX	35,000 HRS	4 YRS	8	N/A	460 nm	<.15
30050	1.7S14/G/LED/1PK	1.7	S14	E26 (MED)	120/240	16	CLEAR, GREEN LED, 1 PK BOX	35,000 HRS	4 YRS	40	N/A	525 nm	<.15
30055	1.7S14/E/LED/1PK	1.7	S14	E26 (MED)	120/240	16	CLEAR, ORANGE LED, 1 PK BOX	35,000 HRS	4 YRS	40	N/A	605 nm	<.10

LED Light Technology Product Order Code:

DynastyS14 Warm White: LLT-15-3004, **Dynasty S14 Red:** LLT-15-3004, **Dynasty S14 Amber:** LLT-15-3004, **Dynasty S14 Blue:** LLT-15-3004

Dynasty S14 Geen: LLT-15-3005, **Dynasty S14 Orange:** LLT-15-30055

Distribution



LED Light Technology

1004 Bay Tree Lane

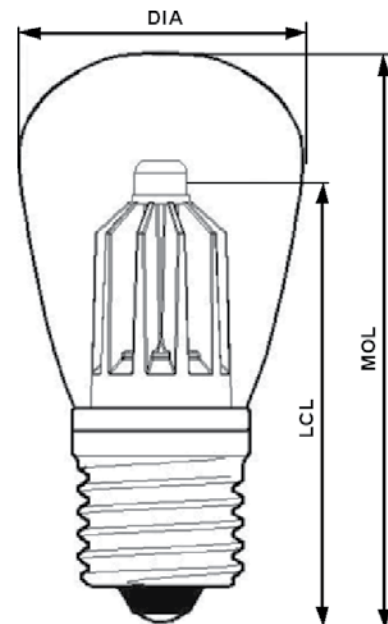
Duluth, GA 30097

O: 770-559-0750

F: 770-783-8097

www.ledlighttech.com

Mechanical Dimensions



Dimension	Description	Inch	MM
LCL	LIGHT CENTER LENGTH	2.50	63.50
DIA	MAXIMUM DIAMETER	1.75	44.40
MOL	MAXIMUM OVERALL LENGTH	3.50	88.90



4628 West Skyhawk Drive 801-256-9282 (tel)
West Jordan, UT 84084 801-256-9287 (fax)

www.caogroup.com