

LED Compact Spot Light

The compact low energy LED spot light blends discreetly into the surrounding landscape. LED technology delivers reliable low maintenance lighting service. Excellent heat removal ensures high performance and reliability of its LED light source. Other features include anti-wicking power lead, tool-free optic interchange and service upgrade capability.

Specifications:

Light Source: High-brightness LED (light emitting diode)

Rated Life: 50,000 hours, 70% of original light output

Input Voltage: 9 to 15 Volts

Power Consumption: 6.2 Watts

Color Temperature: 3000K Typical

CRI: 80 Typical

Optic: Optical Grade PMMA TIR Reflector

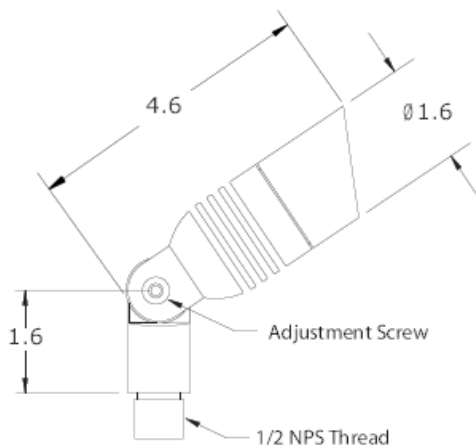
Material: 6061-T6 Aluminum, Brass and Copper

Fasteners: Stainless steel hardware

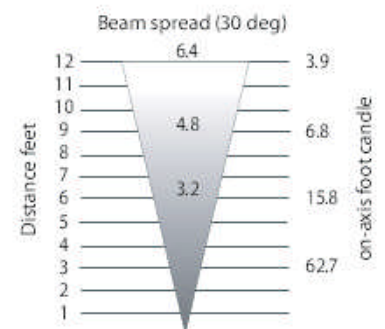
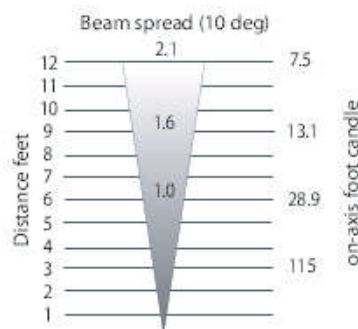
Mounting: ABS Post and Cap Standard

Operating Temperature: -31F to 122F (-35C to 50C)

Product Order Code (based on beam spread): LLT-8-PM10-6.2-WW, LLT-8-PM30-6.2-WW



Dimensions (inch)



LED Compact Spot Light
Version 1