

LED High Intensity Spot Light

The efficient LED array of the LED Spot Light delivers superior light output and low energy usage. Excellent heat removal ensures high performance and reliability of its LED light source. Other features include environmentally sealed control module, anti-wicking power lead, tool free optic interchange and service upgrade capability.

Specifications:

Input Voltage: 11 to 15 Volts

Power Consumption: 8.5 Watts

Material: 6061-T6 Aluminum, Brass and Copper

Stainless steel hardware

Optic: Optical Grade PMMA TIR Reflector

Light Source: High-brightness LED (light emitting diode)

Rated Life: 50,000 hours, 70% of original light output

Mounting: ABS Post and Cap Standard

Color Temperature: 3000K Typical

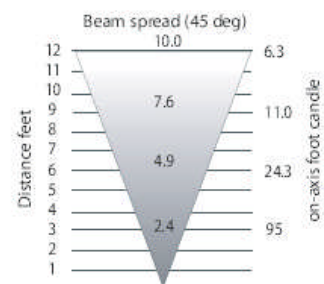
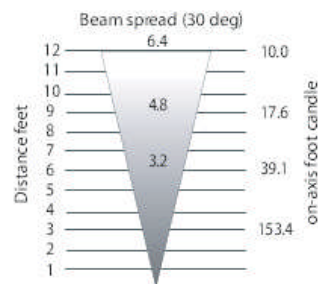
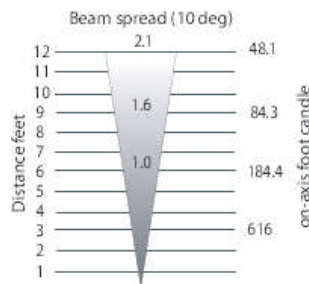
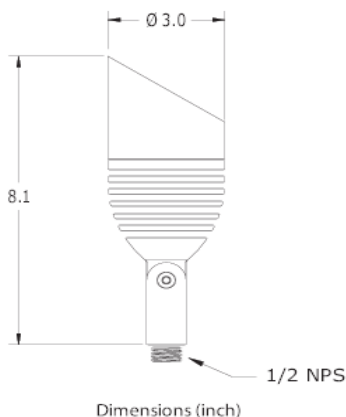
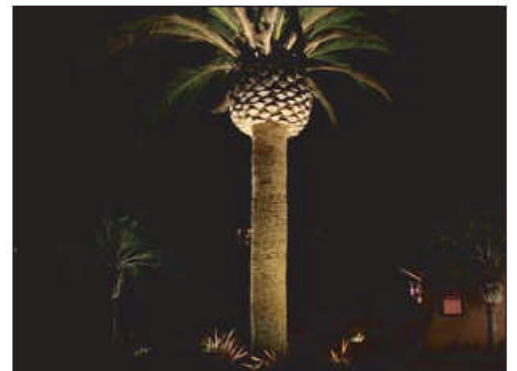
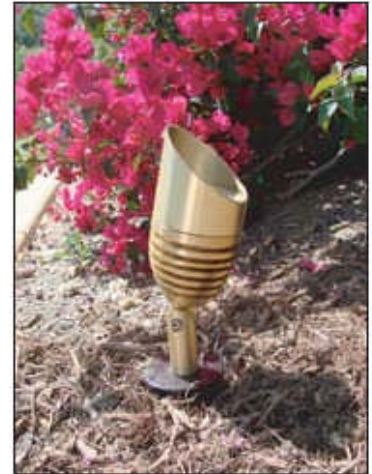
CRI: 80 Typical

Operating Temperature: -31F to 122F (-35C to 50C)

Certification: UL1838

Fasteners: Stainless steel hardware

Product Order Code: LLT-8-TP10-8.5-WW, LLT-8-TP30-8.5-WW, LLT-8-TP40-8.5-WW



LED High Intensity Spot Light
Version 1