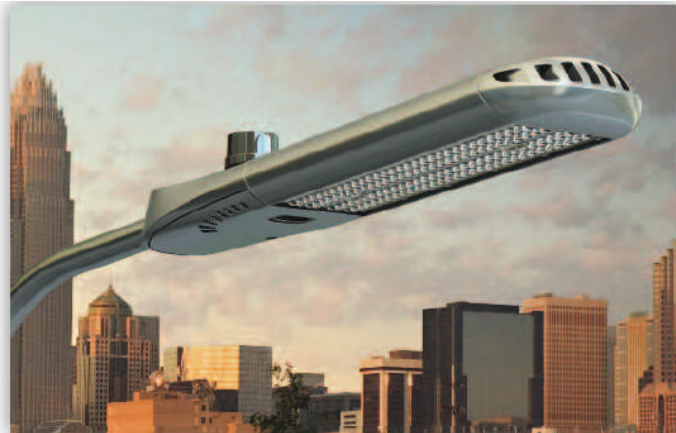


5890 Street Light



Benefits

- Sustainable Design:
 - Custom arrayed optics to reduce the use of plastics.
 - No tertiary optical losses.
 - Use of recycled and recyclable corrosion resistant materials.
 - Full cutoff optics meet Dark Sky requirements
- Holistic Thermal Design:
 - Ventilated precision airflow.
 - Underdriving LEDs to improve efficiency and system life.
 - Use of premium grade alloys for enhanced thermal conduction.
 - Electronics are isolated and sealed from the optical chamber.
- Standard 1 1/4" to 2" mast arm.
- Typical Applications Include:
 - Roadways
 - Residential Streets
 - City Streets
 - Parking Lots
 - Campuses

Features*

	LSR1	LSR2	LSR3	LSR4
Lumen Output (at operating temperature)	4354	5890	9365	11716
Input Power (Watts)	50	74	101	146
Efficacy (lm/w)	87	79	92	81
Color Temperature (CCT)	5000K			
Color Rendering Index (CRI)	70			

Rated Life	L70	60,000 Hours
Housing	Die Cast and Extruded Aluminum	
Finish	Powder Coated	
Optical Distribution	Type II, Type III, IES Full Cutoff	
Mounting Options	1 1/4" to 2" Mast Arm	

EPA	LSR1, LSR2	.77
	LSR3, LSR4	1.0

Dimensions	LSR1, LSR2	28.10" x 8.0" x 4.3" 714mm x 203mm x 109mm
	LSR3, LSR4	37.10" x 8.0" x 4.3" 942mm x 203mm x 109mm

Operating Temperature	-40°C to +40°C (-40°F to +104°F)
Voltage	120-277 VAC @ 50-60 Hz

Weight	LSR1, LSR2	22lbs
	LSR3, LSR4	25lbs

Warranty	5 Year Limited
-----------------	----------------

Certification	
----------------------	---

Environment	IP67 optics 
--------------------	---

lighting facts^{CM}

A Program of the U.S. DOE

Light Output (Lumens) 5890
Watts 73.91
Lumens per Watt (Efficacy) 79

Color Accuracy 69
Color Rendering Index (CRI)



All results are according to IESNA LM-79-2008, Approved Method for the Electrical and Photometric Testing of Solid-State Lighting. The U.S. Department of Energy (DOE) verifies product test data and results. Products qualified under the DOE ENERGY STAR® program have the ENERGY STAR mark on this label.

Visit www.lightingfacts.com for the Label Reference Guide.

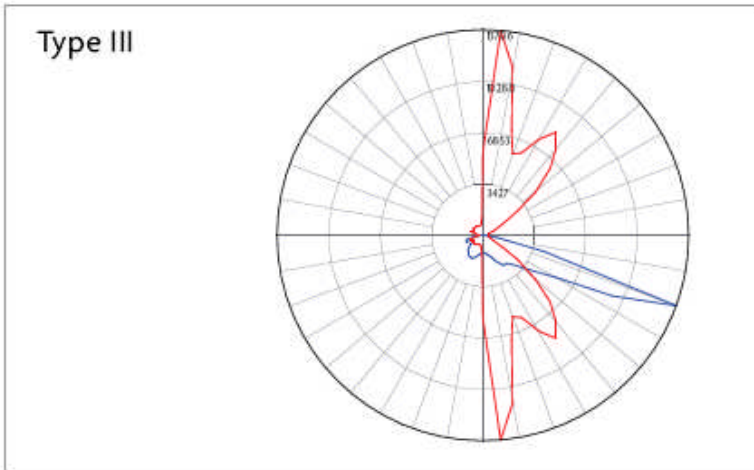
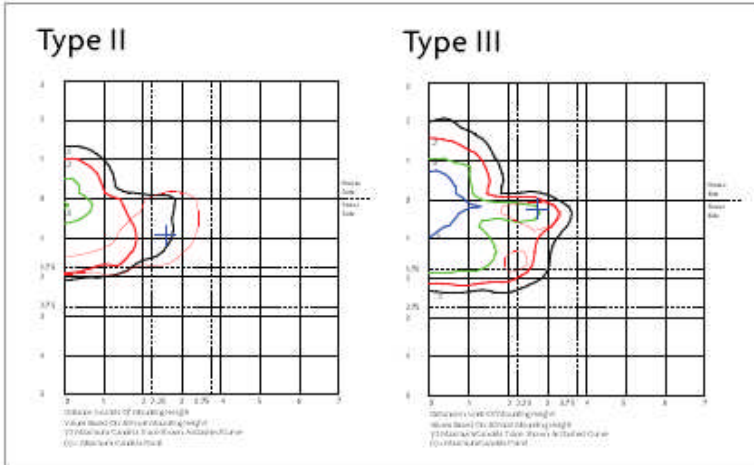
Registration Number: R31N-DA2BC6

Model Number: LSR0 NW R0 75 2BGRSH

Type: Outdoor pole/arm-mounted area and roadway fixtures

LED Light Technology, LLC
1004 Bay Tree Lane
Duluth, Georgia 30097

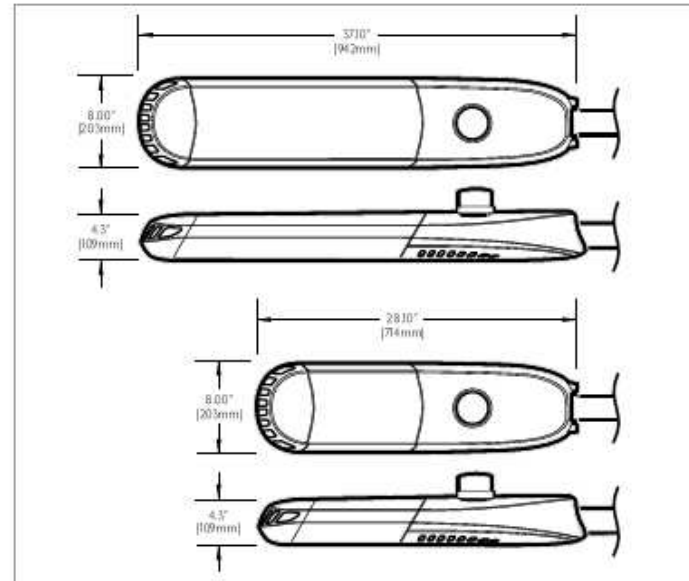
Tele: 770-559-0750
Fax: 770-783-8097
www.LEDLightTech.com



Maximum candela = 13706.34 Located at Horizontal Angle = 85, Vertical Angle = 70
Vertical Plane Through Horizontal Angles (85-265) (Through Max. Cd.): BLUE
Horizontal Cone Through Vertical Angle (70) (Through Max. Cd.): RED

Zonal Lumen Summary

Zone	Lumens	%Luminaire
FL 0-30	634	5.9
FM 30-60	3,100	28.7
FH 60-80	3,585	33.1
FVH 80-90	110	1.0
BL 0-30	655	6.1
BM 30-60	1,771	16.4
BH 60-80	844	7.8
BVH 80-90	115	1.0
UL 90-100	0	0
UH 100-180	0	0



Product Order Code: LLT-5-5890SL-50-5000K, LLT-5-5890SL-74-5000K, LLT-5-5890SL-101-5000K, LLT-5-5890SL-146-5000K



Toolless swing
down access door.

