

MR16 Lamp

Patented design houses an integrated LED system for optimum lifetime performance. Excellent optics create a uniform beam, delivering lumen output comparable to conventional sources. Free of harmful UV and IR emissions. Available in 25° and 36° beam distribution, in various color temperatures with good color quality.

Specifications:

Equivalent Source: 20 Watt Halogen

Power Consumption: 6 Watts

Lumen Output: Warm White (2700)-270, Warm White-300,
Neutral White-318, Cool White 424

Rated Life: 35,000 Hours, 70% Lumen Maintenance

Housing Anodized: Socket GU 5.3 base

Beam Spread: Narrow Flood, Flood 25°, 40°

Operating Temp: -20°C to +40°C

MOL: 1.97", 50mm

Max Ambient Temp: 25°C

Voltage: 12 VDC

Weight: 0.11lbs, 0.05kg

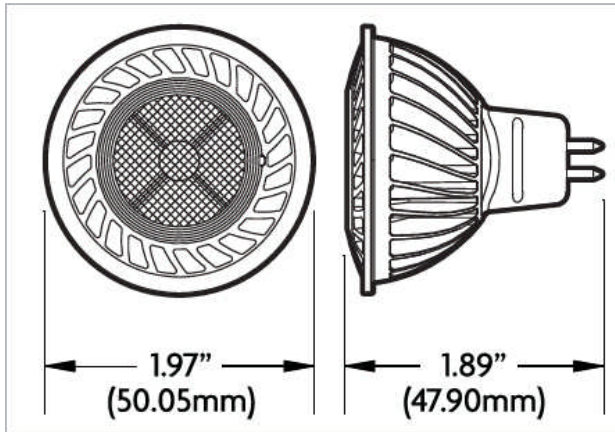
Warranty: 3 year limited

Product Order Code: LLT-5-MR16-6-2700WW, LLT-5-MR16-6-WW, LLT-5-MR16-6-NW, LLT-5-MR16-6-CW



Benefits

- Reduced energy consumption and operating costs by up to 80%.
- Maintenance free operation - lasts up to 25 times longer than conventional lighting.
- Cool beam- No UV or IR, reduces air conditioning loads.
- Unique design with anodized silver housing for cooler operation and extended lamp life.
- Environmentally friendly – fully recyclable, no mercury or other hazardous materials.
- Dimmable***
- LM79 tested



Dimensions shown in inches (mm)

IES FLOOD REPORT
PHOTOMETRIC FILENAME : 30013745-1 DFN-16-WW-FL (A).IES

ISOCANDELA CURVES

