

Par30 Lamp

Patented design houses an integrated LED system for optimum lifetime performance. Excellent optics create a uniform beam, delivering lumen output comparable to conventional sources. Free of harmful UV and IR emissions. Available in 15°, 25° and 40° beam distribution, in various color temperatures with good color quality.

Specifications:

Lumen Output: Warm White (2700)-700, Warm White-725,

Neutral White-769, Cool White- 943

Power Consumption: 15 Watts

Equivalent Source: 60 Watt Halogen

Rated Life: 50,000 Hours, 70% Lumen Maintenance

Housing Anodized: Socket E26 Edison base

Beam Spread: Spot, Narrow Flood, Flood 15°, 25°, 40°

Operating Temp: -20°C to +40°C

Voltage: 120 VAC

Weight : .099 lbs., 0.45 kg

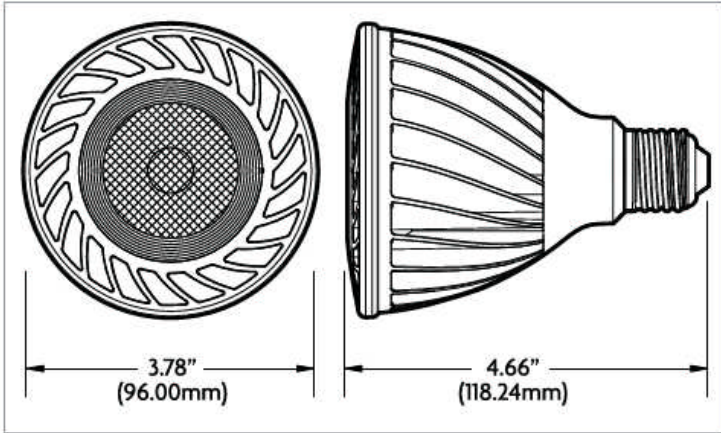
Warranty: 5 year limited

Product Order Code: LLT-5-Par30-15-2700WW, LLT-5-Par30-15-WW, LLT-5-Par30-15-NW, LLT-5-Par30-15-CW



Benefits

- Reduced energy consumption and operating costs by up to 80%.
- Maintenance free operation - lasts up to 25 times longer than conventional lighting.
- Cool beam- No UV or IR, reduces air conditioning loads.
- Unique design with anodized silver housing for cooler operation and extended lamp life.
- Environmentally friendly – fully recyclable, no mercury or other hazardous materials.
- Dimmable***
- LM79 tested

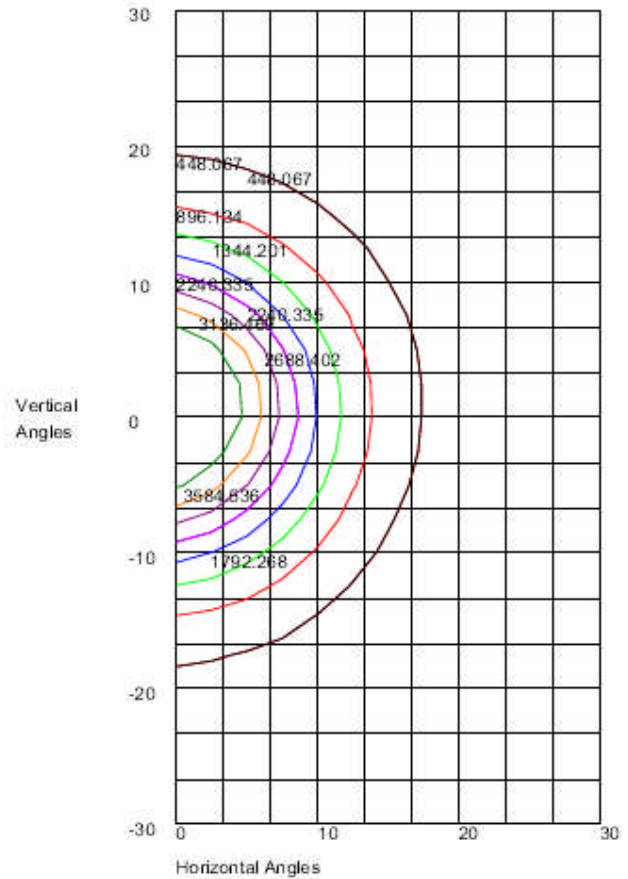


Dimensions shown in inches (mm)

Cautions:

- Turn power off before inspection, installation, or removal.
- Risk of Electric Shock – Do not use where directly exposed to water or weather.
- Not for use in completely enclosed fixtures.
- Suitable for Damp Locations – The lamp is suitable for use in wet locations when used in an outdoor rated fixture.
- Do not open – no user serviceable parts inside.
- Use only on 120 Volt, 60 Hz circuits.
- This device is not intended for use with emergency exit fixtures or emergency exit lights.
- Added weight of the device may cause instability of a free-standing portable Luminaire.
- Use only with a portable table lamp that is provided with a shade.
- Use in portable table lamps in which the distance from the bottom of the base to the top of the Lampholder does not exceed three (3) times the minimum base diameter.
- “This device complies with Part 15 of the FCC rules and has been tested and found to comply with the limits for a Class B digital device. These limits are designed to provide reasonable protection against harmful interference in a residential installation. This equipment generates, uses and can radiate radio frequency energy and, if not installed and used in accordance with the instructions, may cause harmful interference to radio communications. Any changes or modifications not expressly approved by the manufacturer could void the user’s authority to operate the equipment.”

IES FLOOD REPORT
PHOTOMETRIC FILENAME : 30014319-2 DFN-30-WW-SP-120 (A).IES
ISOCANDELA CURVES



Maximum Candela = 4480.67 Located At Horizontal Angle = -1, Vertical Angle = 1
50% Maximum Candela = 2240.335
10% Maximum Candela = 448.067

Warm White Illustrated

