

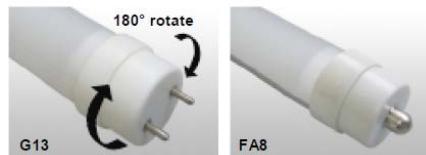
LED Light Tech™

Dimmable LED Replacement Tubes with External Power Supply

Update your existing T12 and T8 fluorescent with LED Light Technology's Dimmable 4 foot LED Tubes! This dependable and innovative technology saves time, energy and money while providing maintenance-free performance for 100,000 hours!

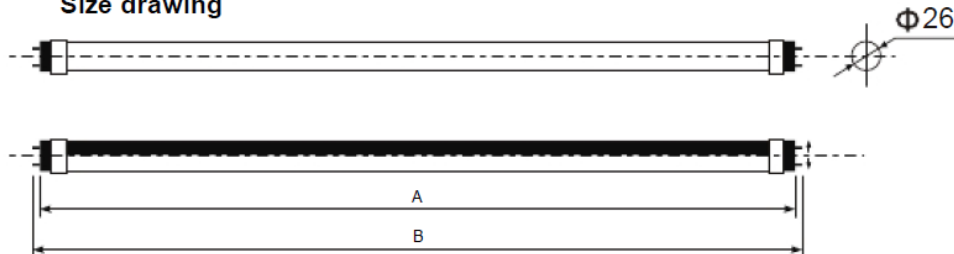
SPECIFICATIONS:

- Lengths: 2ft/ 4ft / 5ft /8ft
- Watts: 10W/ 16W/ 23W/ 40W
- Input Voltage:100-277VAC
- PF>0.98 at 100V or >0.9 at 277V
- Luminous efficacy: >105lm/w
- CRI :> 83 Ra
- Base: G13 or FA8 available
- Reliability Life: 100,000 hours
- Color Temperature:4000K or 5000K
- Rotate endcaps available without DLC listing
- Certificates/ Ratings: DLC, UL, FCC, CE, RoHS



DIMENSIONS:

Size drawing

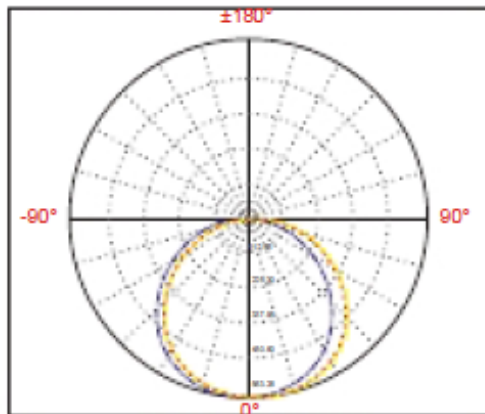
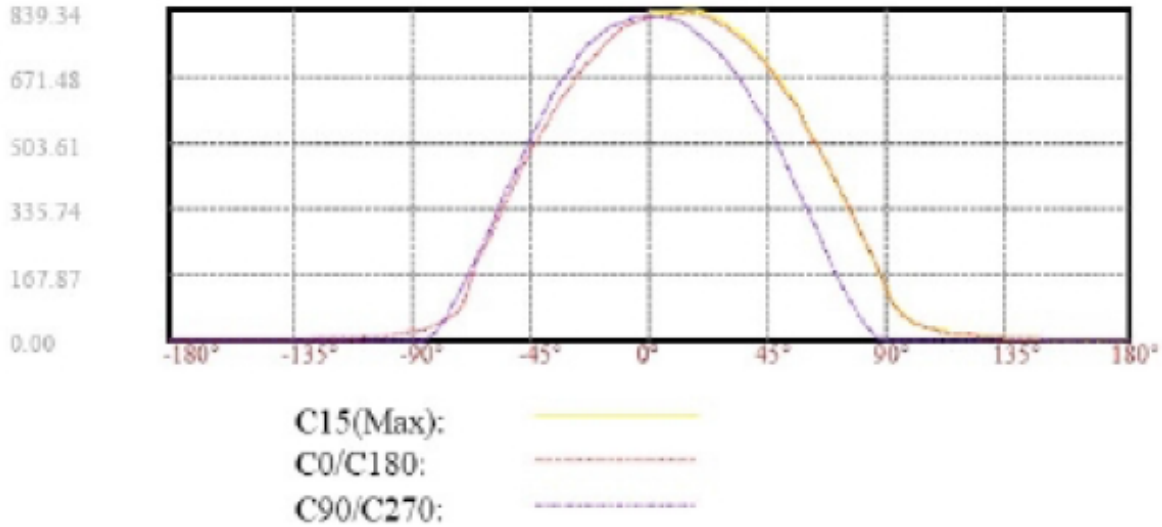


Dimension	A (mm)	B (mm)
2Ft	589	603
4Ft	1198	1212
5Ft	1498	1512
8Ft	2367	2381

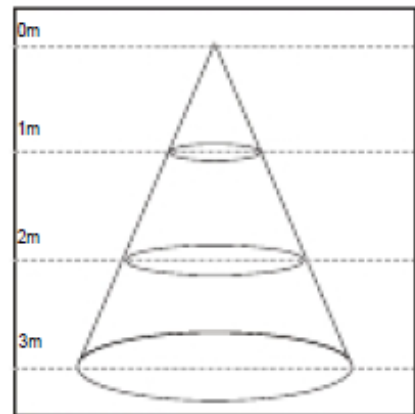
Note: size tolerance is ±1mm



LUMINOUS INTENSITY DISTRIBUTION



Luminous intensity distribution
 (unit: cd)



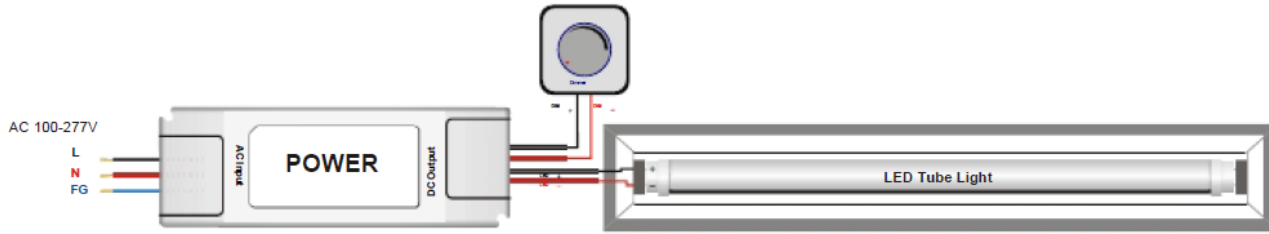
Beam angle of C15plane
 Clear Cover:118.40°
 Frosted Cover:135 °

Model Number	LLT-38-T8-2-10D-4-C	LLT-38-T8-4-16D-4-C	LLT-38-T8-4-23D-4-C	LLT-38-T8-5-23D-4-C	LLT-38-T8-8-40D-4-C
Dimensions	2ft (600*26 mm)	4ft (1200*26 mm)	4ft (1200*26 mm)	4ft (1500*26 mm)	8ft (2400*26 mm)
Rated Power	10W	16W	23W	23W	40W
Luminous Flux	105lm/W	105lm/W	105lm/W	105lm/W	105lm/W

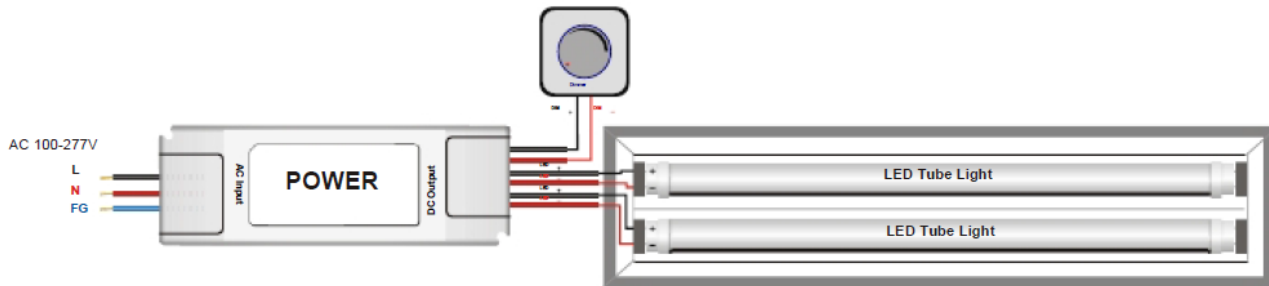


How to Determine Driver Type				
Wattage	Driver With Tube	Non-Dimmable	Dimmable 1~10V/PWM	External Power Supply Parameter
10W	1 driver with 1 tube	LLT-38-PS-30-137	LLT-38-PS-32-137-D	Input: 100~277Vac; Output: DC37V,255mA
	1 driver with 2 tubes	LLT-38-PS-32-237	LLT-38-PS-32-237-D	Input: 100~277Vac; Output: DC37V,255mA x 2 Channel
	1 driver with 3 tubes	LLT-38-PS-32-337	LLT-38-PS-32-237-D	Input: 100~277Vac; Output: DC37V,255mA x 3 Channel
	1 driver with 4 tubes	LLT-38-PS-50-437	LLT-38-PS-50-437-D	Input: 100~277Vac; Output: DC37V,255mA x 4 Channel
16W	1 driver with 1 tube	LLT-38-PS-30-137	LLT-38-PS-32-137-D	Input: 100~277Vac; Output: DC37V,400mA
	1 driver with 2 tubes	LLT-38-PS-32-237	LLT-38-PS-32-237-D	Input: 100~277Vac; Output: DC37V,400mA x 2 Channel
	1 driver with 3 tubes	LLT-38-PS-50-337	LLT-38-PS-50-337-D	Input: 100~277Vac; Output: DC37V,400mA x 3 Channel
	1 driver with 4 tubes	LLT-38-PS-75-437	LLT-38-PS-75-437-D	Input: 100~277Vac; Output: DC37V,400mA x 4 Channel
23W	1 driver with 1 tube	LLT-38-PS-30-137	LLT-38-PS-32-137-D	Input: 100~277Vac; Output: DC37V,560mA
	1 driver with 2 tubes	LLT-38-PS-50-237	LLT-38-PS-50-237-D	Input: 100~277Vac; Output: DC37V,560mA x 2 Channel
	1 driver with 3 tubes	LLT-38-PS-75-337	LLT-38-PS-75-337-D	Input: 100~277Vac; Output: DC37V,560mA x 3 Channel
	1 driver with 4 tubes	LLT-38-PS-98-437	-----	Input: 100~277Vac; Output: DC37V,560mA x 4 Channel
30W	1 driver with 1 tube	LLT-38-PS-30-137	LLT-38-PS-32-137-D	Input: 100~277Vac; Output: DC37V,720mA
	1 driver with 2 tubes	LLT-38-PS-75-237	LLT-38-PS-75-237-D	Input: 100~277Vac; Output: DC37V,720mA x 2 Channel
40W	1 driver with 1 tube	LLT-38-PS-50-137	LLT-38-PS-50-137-D	Input: 100~277Vac; Output: DC37V,900mA
	1 driver with 2 tubes	LLT-38-PS-75-237	LLT-38-PS-75-237-D	Input: 100~277Vac; Output: DC37V,900mA x 2 Channel

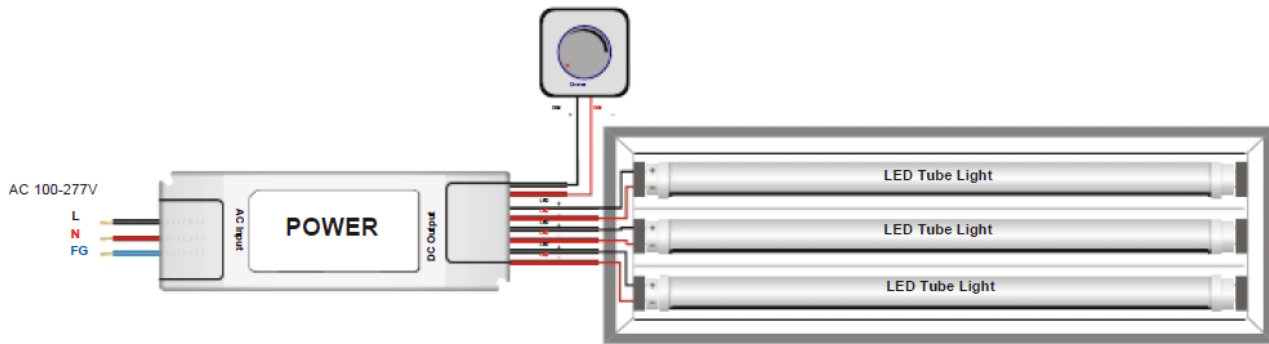




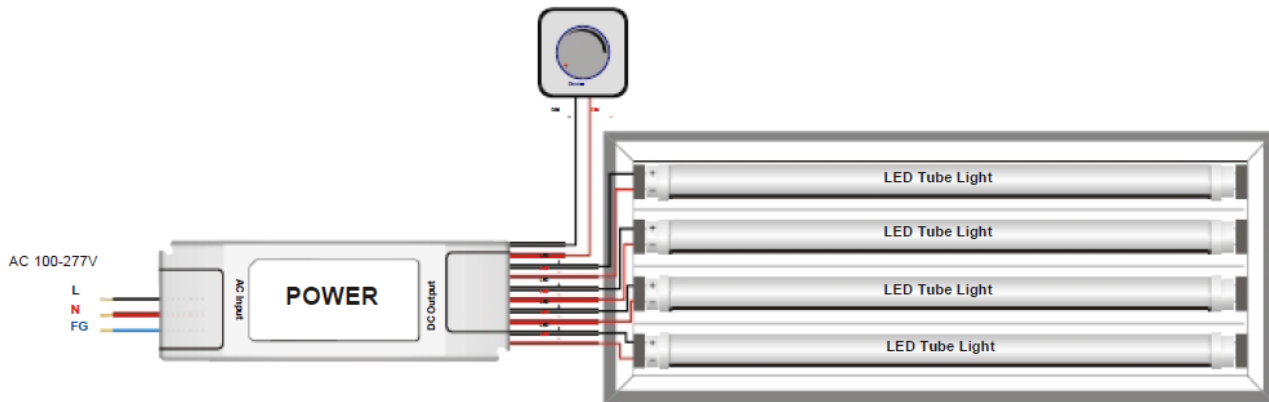
* Above is the installation diagram with dimmer .If no need dimmable , just take out the dimmer .



* Above is the installation diagram with dimmer .If no need dimmable , just take out the dimmer .



* Above is the installation diagram with dimmer .If no need dimmable , just take out the dimmer .



* Above is the installation diagram with dimmer .If no need dimmable , just take out the dimmer .

PRODUCT ORDER CODE:

Product Order Code Example: LLT-38-T8-2-10D-4-F

LLT	38	T8						
			Length	Power supply mode	Watts	CCT	Diffuser	End Cap
			2=2Foot	SE=Single end input	10D	3=3000	F=Frosted	Blank=G13
			4=4Foot	Blank=Dual end input	16D	4=4000	C=Clear	FA8
			5=5Foot		23D	5=5000		
			8=8Foot		40D			

